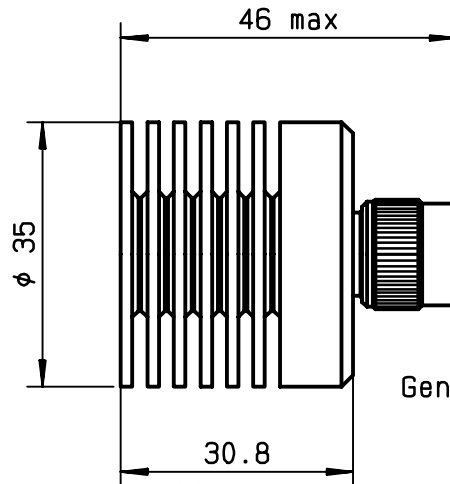


**TITLE:** 12 W 12.4GHZ TNC/m COAXIAL TERMINATION

**LTR. B**

## DRAWING



General tolerances: +/- 0.5 mm

## ELECTRICAL CHARACTERISTICS

FREQUENCY RANGE	:	DC - 12.4GHz
IMPEDANCE	:	50 Ohms
DC RESISTANCE	:	50 Ohms ± 5 %
AVERAGE POWER HANDLING	:	12 W at 75°C
PEAK POWER HANDLING	:	4 kW ( 1 μs, 1%.) at 25°C
V.S.W.R :	DC - 4 GHz	: <= 1.10
	4 - 8 GHz	: <= 1.20
	8 - 12.4 GHz	: <= 1.30

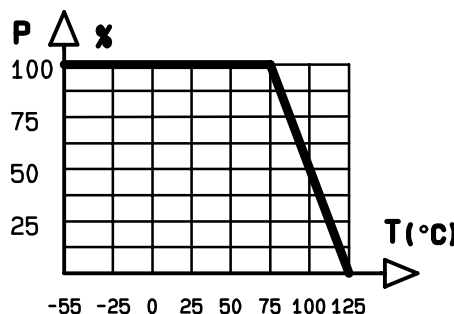
## MECHANICAL CHARACTERISTICS

CONNECTOR	:	TNC male per MIL C 39012
MAXIMUM WEIGHT	:	70 grams

## ENVIRONMENTAL CHARACTERISTICS

OPERATING TEMPERATURE RANGE (°C)	:	-55 , +125
STORAGE TEMPERATURE RANGE (°C)	:	-55 , +125

Power derating  
Versus temperature



Tentative data subject to change without notice

<b>PEN</b> <b>CAT</b>	QUALITY Dpt App.				
			B	New format	22.10.92 PG
PAGE 1 / 1	DATE 25.11.83	NAME DP	LTR	REVISIONS	DATE APP.